

# Parts List

## 8123.281 Solid





---

# Table of Contents

<b>1 Introduction.....</b>	<b>2</b>
1.1 Specially approved products.....	2
<b>2 Product Description.....</b>	<b>3</b>
2.1 Products included.....	3
2.2 The data plate.....	3
<b>3 Exploded View.....</b>	<b>4</b>
3.1 8123.281.....	4
<b>4 Spare Parts.....</b>	<b>5</b>
4.1 8123.281.....	5

# 1 Introduction

## **Purpose of this manual**

The purpose of this manual is to provide necessary information on spare parts and accessories order.

## **Disclaimer**

Always use genuine Grindex parts. The use of other spare parts or accessories can invalidate any claims for warranty or compensation. Grindex does not take any responsibility for damages that are caused by the use of non-original parts. For more information, contact your local sales and service representative.

## **Data for ordering spare parts**

The following information is needed for spare part orders:

- Serial number of the product
- Part number
- Quantity of bulk material, see \* in tables

## **1.1 Specially approved products**

### **Qualification of personnel**

Only Grindex or Grindex-authorized service personnel may undertake repair work on Ex-approved products.

### **Dimensional accuracy inspection**

Spare parts marked with (Ex) after the part number are subject to dimensional accuracy inspection when used in specially approved products.

## 2 Product Description

### 2.1 Products included

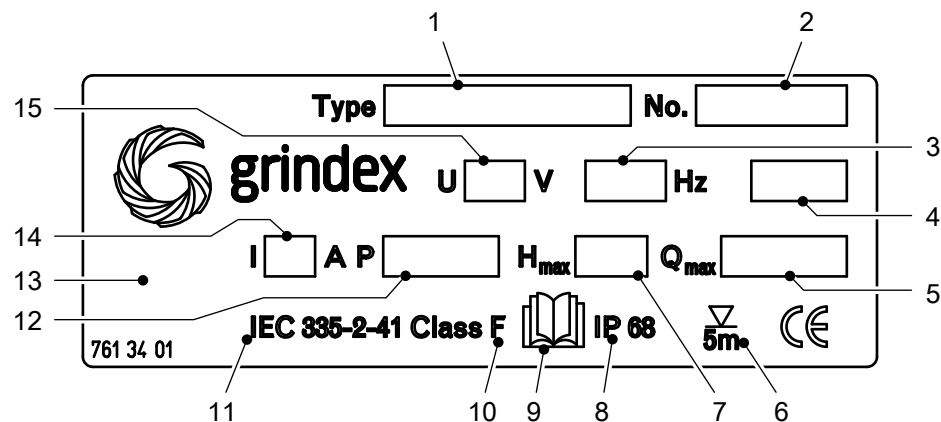
Pump model	Standard	EX	MSHA	Drainage	Sludge
Solid 8123.281	X				X

### 2.2 The data plate

#### Introduction

The data plate is a metal label located on the main body of the pump. The data plate lists key product specifications.

#### The data plate

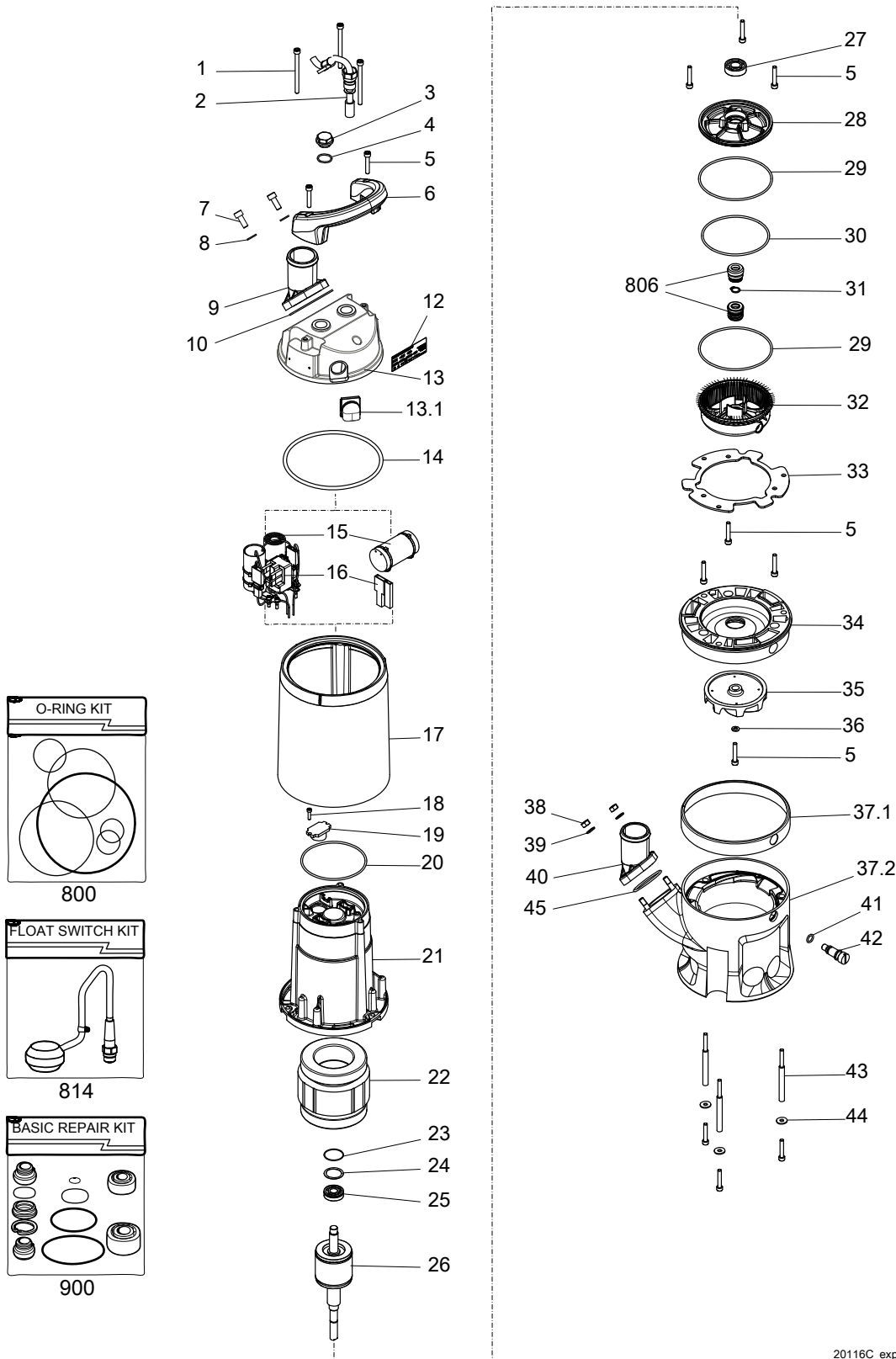


W5006202A

1. Pump model
2. Serial number
- The first two characters describe the production year.
3. Phase; type of current; frequency
4. Product weight
5. Maximum capacity
6. Maximum submergence
7. Maximum head
8. Degree of protection
9. Read installation manual
10. Thermal class
11. International standard
12. Maximum power consumption
13. Country of origin
14. Rated current
15. Rated voltage

# 3 Exploded View

## 3.1 8123.281



20116C\_expl\_view\_8123.281

# 4 Spare Parts

## 4.1 8123.281

Pos. No	Part. No	Denomination	Qty/Version	
			281	
1	410 777	Hex.socket hd screw M6X80-A2-70	3	
2	51 649 00	Motor cable unit 532.1U +H07RN-F 3X1 MM2	H07RN-F 3x1 8,60 - 10mm L= 10m Supply connection: Plug IEC 83:1975 C4	1
2	51 649 07	Motor cable unit	H07RN-F 3x1 8,60 - 10mm L= 10m Supply connection: Plug (2P+J) SEV 1011 S24507	1
2	51 649 01	Motor cable unit SOOW-16AWG/3 115V USA CDN	SOW 16AWG/3 9,78 - 10,90mm L= 16m Supply connection: Plug IEC 83:1975 A5-15	1
2	51 649 05	Motor cable unit SOW-16AWG/3 230V USA CDN	SOW 16AWG/3 9,78 - 10,90mm L= 16m Supply connection: Plug IEC 83:1975 A6-15	1
2	51 649 04	Motor cable unit H07RN-F 3X1 MM2 110V GB	H07RN-F 3x1 8,70 - 9,30mm L= 10,60m Supply connection: Plug for FGB (2P+E), fuse 16A, 110-115V	1
2	51 649 02	Motor cable unit H07RN-F 3X1 MM2 230V GB	H07RN-F 3x1 9 L= 9,50m Supply connection: Plug for FGB, fuse 13A, 230-240V	1
2	51 649 03	Motor cable unit H07RN-F 3X1 MM2 230V AUS	H07RN-F 3x1 9 L= 9,50m Supply connection: Plug for FAUS 230-240V	1
3	51 650 00	Plug		1
4	410 778	O-ring 20.0X2.0 NBR		1
5	410 757	Hex.socket hd screw M6X35-A2-70		12
6	51 651 00	Handle		1
7	132 395	Hex.socket hd screw M8X20-A2-70		2
8	132 289	Plain washer 8-A2-170		2
9	50 626 01	Cover		1
10	50 627 00	Gasket		1
12	51 652 00	Data plate		1
13	51 653 00	Cover unit		1
13,1	50 836 03	Air release valve		1
13,2	-	Cover		1

Pos. No	Part. No	Denomination	Qty/Version
			281
14	130 944	O-ring 149.3X5.7 NBR	1
15	50 893 02	Capacitor 30 MFD 275V	Stator 1-phase 50 Hz 2-poles 115V
15	51 662 00	Starter unit 2 x 14 MFD	Stator 1-phase 50 Hz 2-poles 230V-240V
15	50 893 03	Capacitor 35 MFD 275V	Stator 1-phase 60 Hz 2-poles 115V
15	50 893 01	Capacitor 14 MFD 450V	Stator 1-phase 60 Hz 2-poles 220V-230V
16	410 780	Terminal device 48X12X6 MAX.380V 18A	1
16	410 781	Terminal device 54X21X8.5 MAX.380V 18A	1
17	51 655 00	Cooling jacket ALUMINUM	1
18	410 008	Hex.socket hd screw M4X16-A2-70	1
19	50 844 04	Motor switch 115V 50HZ	Stator 1-phase 50 Hz 2-poles 115V
19	50 844 05	Motor switch 230V 50HZ	Stator 1-phase 50 Hz 2-poles 230V-240V
19	50 844 06	Motor switch 115V 60HZ	Stator 1-phase 60 Hz 2-poles 115V
19	50 844 07	Motor switch 230V 60HZ	Stator 1-phase 60 Hz 2-poles 220V-230V
20	132 017	O-ring 99.5X3.0 NBR	1
21	51 654 00	Stator housing	1
22	50 780 00	Stator 12-08-2b	1-phase 50 Hz 2-poles 115V 1-phase 60 Hz 2-poles 115V
22	50 780 01	Stator 12-08-2b	1-phase 50 Hz 2-poles 230V-240V 1-phase 60 Hz 2-poles 220V-230V
23	50 452 00	Spring washer 31.5X25X0.35	1
24	50 037 35	O-ring 26.0X1.2 NBR	1
25	50 287 02	Ball bearing 12X32X10	1
26	51 656 01	Shaft unit	1
27	50 287 01	Ball bearing 15X35X11	1
28	51 657 00	Bearing housing	1
29	50 037 38	O-ring 114.5X3.0 NBR	2
30	50 037 02	O-ring 104.5X3.0 NBR	1
31	50 453 00	Retaining ring	1
32	50 443 00	Oil housing	1



Pos. No	Part. No	Denomination	Qty/Version
			281
33	51 658 00	Washer	1
34	50 447 00	Wear protection	1
35	50 593 00	Impeller	1
		N 50Hz 1-phase Max ambient temp=40 DC	
35	50 593 03	Impeller	1
		N 60Hz 1-phase Max ambient temp=40 DC	
36	50 020 05	Plain washer	1
37	50 876 00	Pump housing unit	1
37,1	50 855 00	Supporting ring	1
37,2	50 854 00	Pump housing	1
38	50 021 37	Hexagon nut M8-A4-70	2
39	132 289	Plain washer 8-A2-170	2
40	50 839 00	Discharge connection 2"	1
		DN 50 Hose Thread : ISO G2A Outer Second outlet included	
40	50 839 02	Discharge connection G2"	1
		DN 50 Thread : ISO G2A Outer Quick coupling: Storz DN 50 Hose Thread : ISO G2A Outer Second outlet included	
40	50 839 01	Discharge connection NPSM 2"	1
		DN 50 Thread : NPSM 2-11 1/2 Outer	
40	410 027	Coupling part	1
		DN 50 Thread : ISO G2A Outer Quick coupling: Storz	
40	130 756	Discharge connection DN 50 HOSE	1
		DN 50 Hose aluminium	
40	131 409	Discharge connection	1
		DN 50 Thread : ISO G2A Outer aluminium	
41	50 037 34	O-ring 10.3X2.4 NBR	1
42	50 445 02	Inspection screw	1
43	51 660 00	Barrel nut	3
44	50 020 06	Plain washer 9021-6,4X18X1,6	3
45	50 037 52	O-ring 52.5X3.0 NBR	1
800	51 663 00	O-ring kit	1
806	50 965 00	Seal kit	1
807	50 966 00	Outer seal kit	1
814	51 665 00	Level switch kit CE	1
814	51 665 01	Level switch kit CSA	1
900	51 664 00	Basic repair kit	1
900,1	50 452 00	Spring washer 31.5X25X0.35	1
900,2	50 037 35	O-ring 26.0X1.2 NBR	1

#### 4 Spare Parts

---

<b>Pos. No</b>	<b>Part. No</b>	<b>Denomination</b>	<b>Qty/Version</b>
			<b>281</b>
900,3	50 287 01	Ball bearing 15X35X11	1
900,4	50 287 02	Ball bearing 12X32X10	1





[www.grindex.com](http://www.grindex.com)

Grindex  
Gesällvägen 33  
174 07 Sundbyberg  
Sweden  
Tel: +46-8-606 66 00  
Fax: +46-8-745 53 28  
[www.grindex.com](http://www.grindex.com)

Visit our Web site for the latest version of this document  
and more information

The original instruction is in English. All non-English  
instructions are translations of the original instruction.

© 2014 Grindex